

Mail Drops - Receptacle – 2256

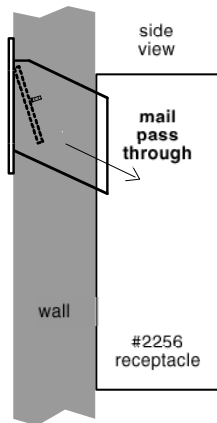
Installation Instructions

Thank you for selecting Salsbury's Mail Receptacle 2256. With its rugged all aluminum construction, Salsbury 2256 Receptacle will provide years of maintenance free service.

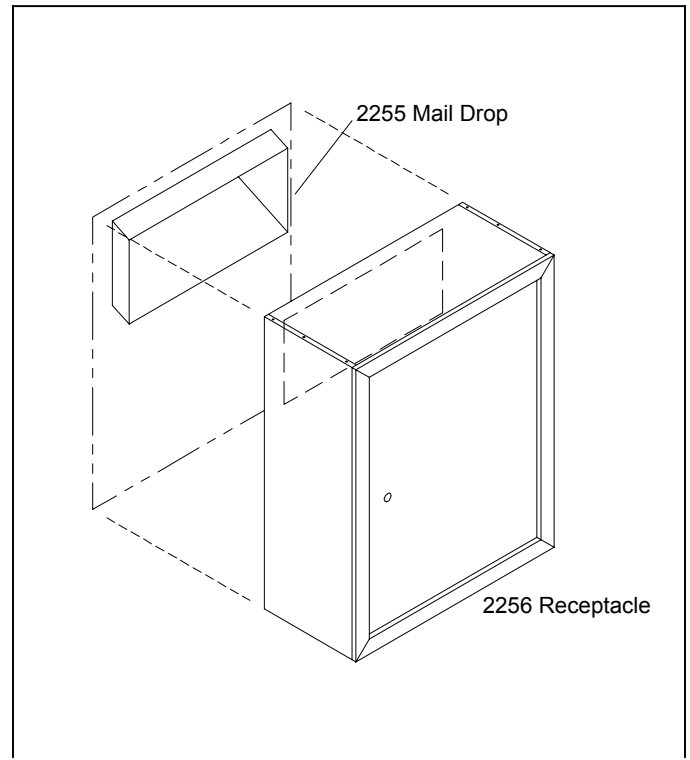
Installation

Units are surface mounted and mount directly to a flat surface and are secured with mounting hardware through the back panel.

1. Mail receptacles (2256) are designed to align with a mail drop (2255) through the rear opening.
2. Mounting access is provided by opening door. Use appropriate anchors and screws. Due to variation in wall types, mounting hardware is not provided.



Model 2256 Receptacle



Note: Mail drops (#2255) are sold separately.

Receptacle Overall Dimensions

15"W x 19"H x 7-1/2" D

Rear Opening Dimensions

12"W x 6"H

SALSBURY INDUSTRIES

18300 Central Avenue, Carson, CA 90746-4008

Phone: 1-800-624-5269

Int'l Phone: 323-846-6700

Fax: 1-800-624-5299

Int'l Fax: 323-846-6800

www.mailboxes.com

engineering@mailboxes.com